

THE RATTY ARMS

STARTERS

Soup of the day

Served with a bread roll

£5.95

Cheesy beef chilli nachos

Served with salsa and guacamole

£6.25

Cheesy roasted vegetable chilli nachos

Served with salsa and guacamole

£6.25

Sautéed creamy garlic mushrooms

Served with sourdough garlic bread

£6.25

Tower of black pudding, Cumberland sausage, burger and streaky bacon

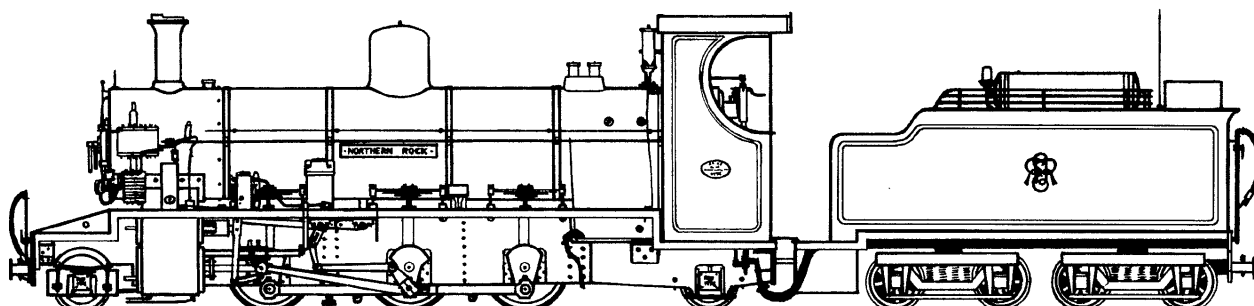
Served with a peppercorn sauce

£7.95

Prawn cocktail

Served on a bed of crispy salad with Marie Rose sauce and brown bread

£7.95



THE RATTY ARMS

SANDWICHES

Baked ham
Cheese and Westmorland Chutney
Coronation chicken
Egg and cress mayonnaise
Savoury tuna mayonnaise
Savoury cheese mayonnaise
£7.95

Prawn and Marie Rose sauce
£8.95

All served on brown or white bread with a salad garnish

SOUP AND SANDWICH DEAL

£12.50

BAGUETTES

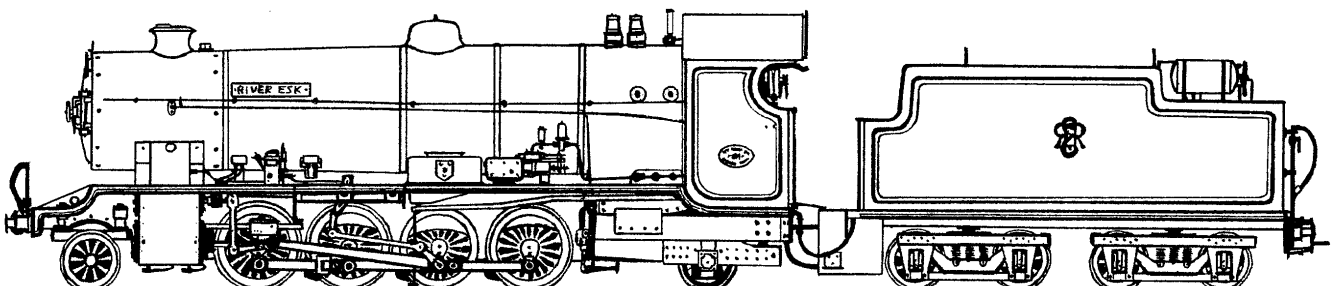
Tuna and cheese melt
Streaky bacon, Brie and cranberry melt
Brie and cranberry melt
Cumberland sausage and Westmorland Chutney
Chicken goujons and Thai sweet chilli mayonnaise
£9.50

Prawn and Marie Rose sauce
£11.50

All served with a salad garnish

SIDE DISHES

Chips | Onion rings | Sweet potato fries | Garlic bread | Peppercorn sauce
£3.50



THE RATTY ARMS

SALADS

Whitby wholetail scampi served with tartare sauce

£15.95

Prawns served with Marie Rose sauce

£15.95

Crispy fried half roast chicken

£15.95

Baked ham

£13.95

Tuna mayonnaise

£13.95

Mozzarella and pesto

£13.95

A fresh crispy salad served with coleslaw, egg, and fruit

JACKET POTATOES

Tuna mayonnaise

Tuna savoury

Coronation chicken

Cheddar cheese

Cheddar cheese and beans

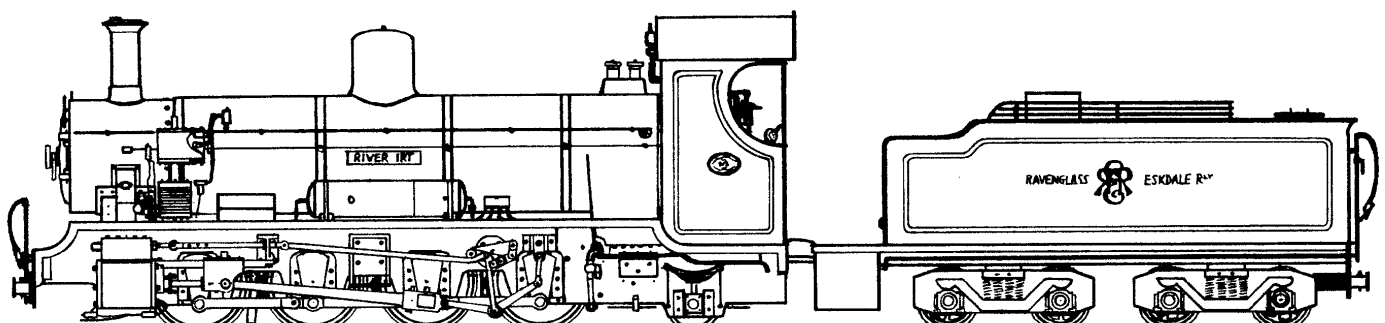
Cheese savoury

£9.25

Prawn Marie Rose sauce

£12.25

All served with a salad garnish



THE RATTY ARMS

MAIN DISHES

All mains are served with vegetables and either chips or jacket potato

Homemade steak and ale pie served with gravy

£15.95

Whitby breaded wholetail scampi and tartare sauce

£15.95

Cumberland sausage and fried egg

£14.95

Crispy fried half roast chicken

£15.95

Beef or roasted vegetable lasagne

£13.95

Penne pasta

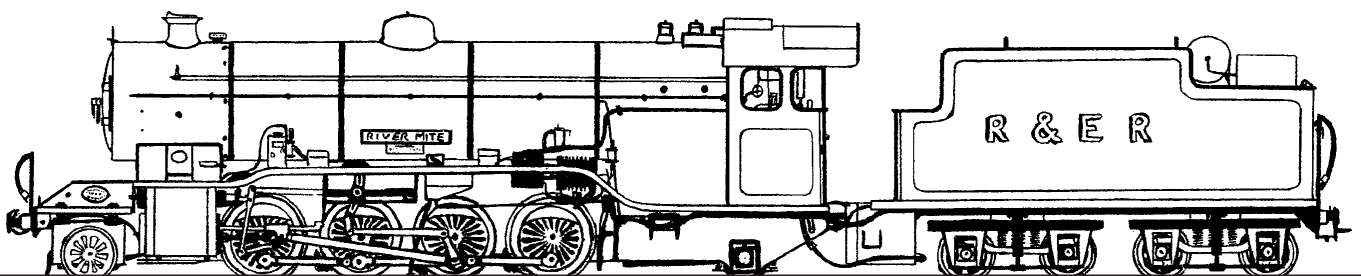
Mixed with garlic mushrooms and cream sauce served with sourdough garlic bread

£11.95

Beef or roasted vegetable chilli

Served with either rice, chips, half rice and chips, or jacket potato

£12.95



THE RATTY ARMS

DESSERTS

Traditional sticky toffee pudding

Served with cream, custard or ice cream

Sticky stem ginger pudding

Served with cream, custard or ice cream

Mixed berry meringue

Meringue nest with vanilla ice cream, mixed berries and cream

Cheesecake of the day

Served with cream or ice cream

Crumble of the day

Served with cream, custard or ice cream

Warm chocolate brownie

Served with vanilla ice cream and homemade toffee sauce

Ratty Cinders & Ashes

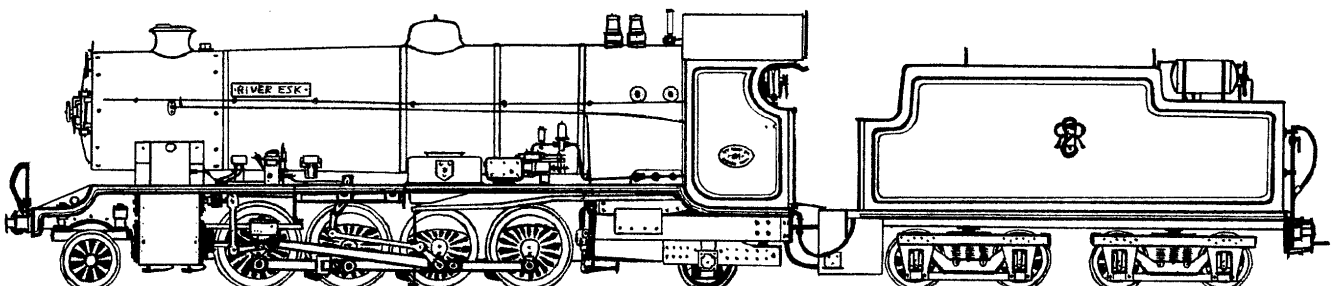
Crushed meringue, cinder toffee, vanilla ice cream topped with homemade toffee sauce, cream and chocolate flakes

£6.95

English Lakes Ice Cream

Mixed options available: vanilla, strawberry, chocolate, Thunder & Lightning, served with a wafer tuile

£4.50



THE RATTY ARMS

CHILDREN'S MENU

Children's meals are served with chips or salad with a choice of peas or beans

Jumbo battered fish finger
Scampi
Battered chicken breast chunks
Cumberland sausage
Tomato and basil penne pasta
Pepperoni pizza
Margarita pizza

£6.95

DESSERTS

Warm chocolate brownie
Served with ice cream

Ratty Cinders & Ashes

Crushed meringue, cinder toffee, vanilla ice cream topped with
homemade toffee sauce, cream and chocolate flakes

£3.50

Ice cream bowl

Mixed options available: vanilla, strawberry, chocolate, Thunder & Lightning,
served with a wafer tuile

£2.50

